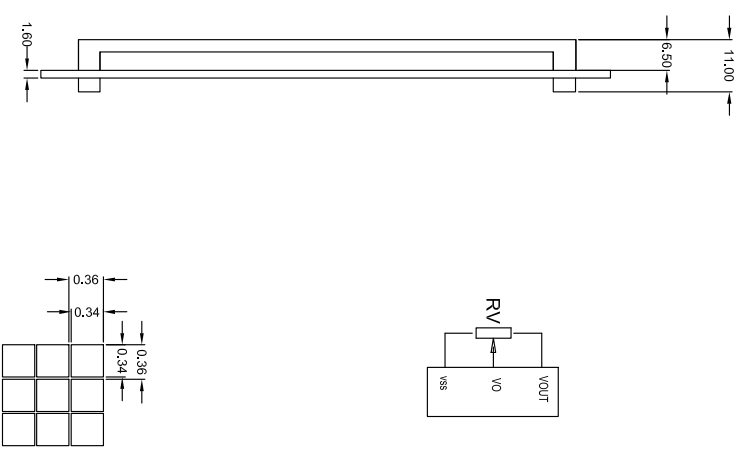
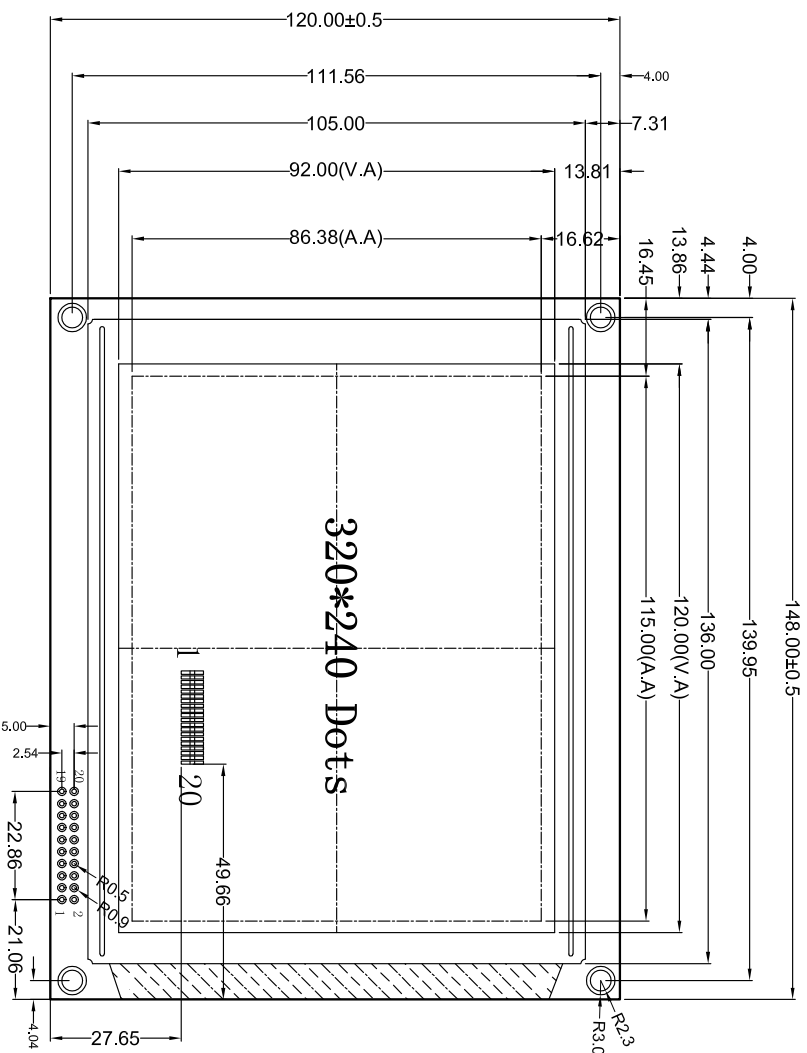


Customer approval :



Specification:

- 1). Driving: Duty:1/240, Bias:1/17, VOUT:-21.5(Ref), VO:-18.5V, VDD:5V
- 2). Viewing Direction: 6 O'clock
- 3). Display mode:FSTN/B-W/Ttransflective/Positive
- 4). Operating temp.: -20°C~+70°C
Storage temp.: -30°C~+80°C
- 5). Controller IC: RA8835P3N
- 6). Backlight: Bottom ,White
- 7). Dimensions with mark "*" are important,
with mark "(")" are referenced
- 8). All the raw materials are RoHS compliant

PIN	1	2	3	4	5	6	7	8	9	10
CONNECTION	VSS	VDD	VO	RD	WR	AO	DB0	DB1	DB2	DB3
PIN	11	12	13	14	15	16	17	18	19	20
CONNECTION	DB4	DB5	DB6	DB7	CS	RST	VOUT	FGND	BLA	BLK

REV	REVISION RECORD	DATE	深圳市三元晶科技有限公司 Shenzhen TCC LCD Hi-Tech Co., Ltd			GENERAL TOL:	±0.3
A0	First Issue	11/18	MODEL NO.	模组型号	SVW320240D21-5C2KJUM1R8	宋建公差	
			APPROVED BY	核准	Lu	PAGE:	1 OF 1
			CHECKED BY	检查	Francis	UNIT:	mm
			DRAWING BY	制图	Luoxian		
						PROJECTION	三角法